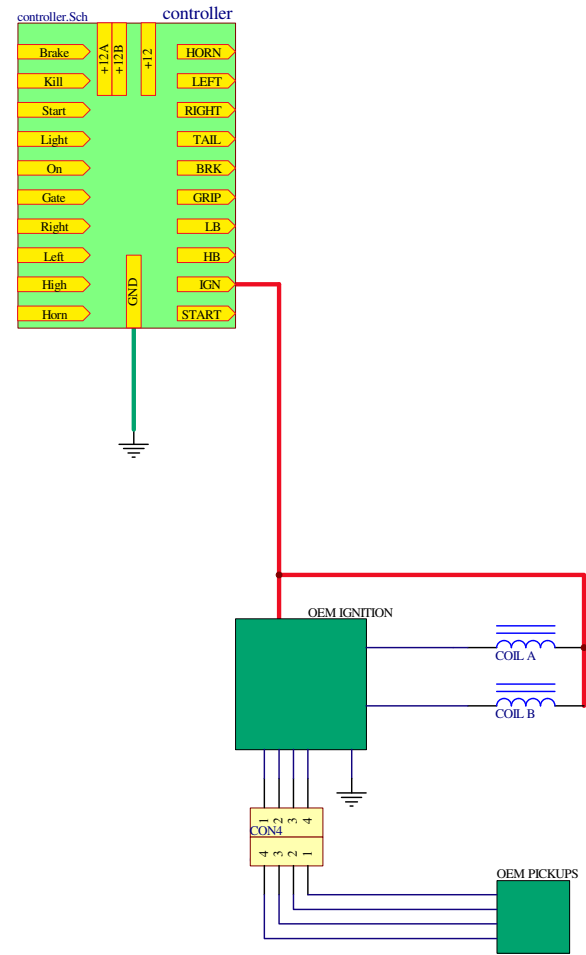


OEM TAI IGNITION



OEM CDI IGNITION

